

Shigi Shipbuiding Co., Ltd.  
3-36 Dejima Nishi-machi, Sakai-ku, Sakai, Osaka, 590-0831, JAPAN  
TEL +81-72-241-2033

## **About the handle of our production**

About our rigid rescue boat (VOX46). Trouble was happened on the drainage pipe located on the stern of the rescue boat because of clogging.

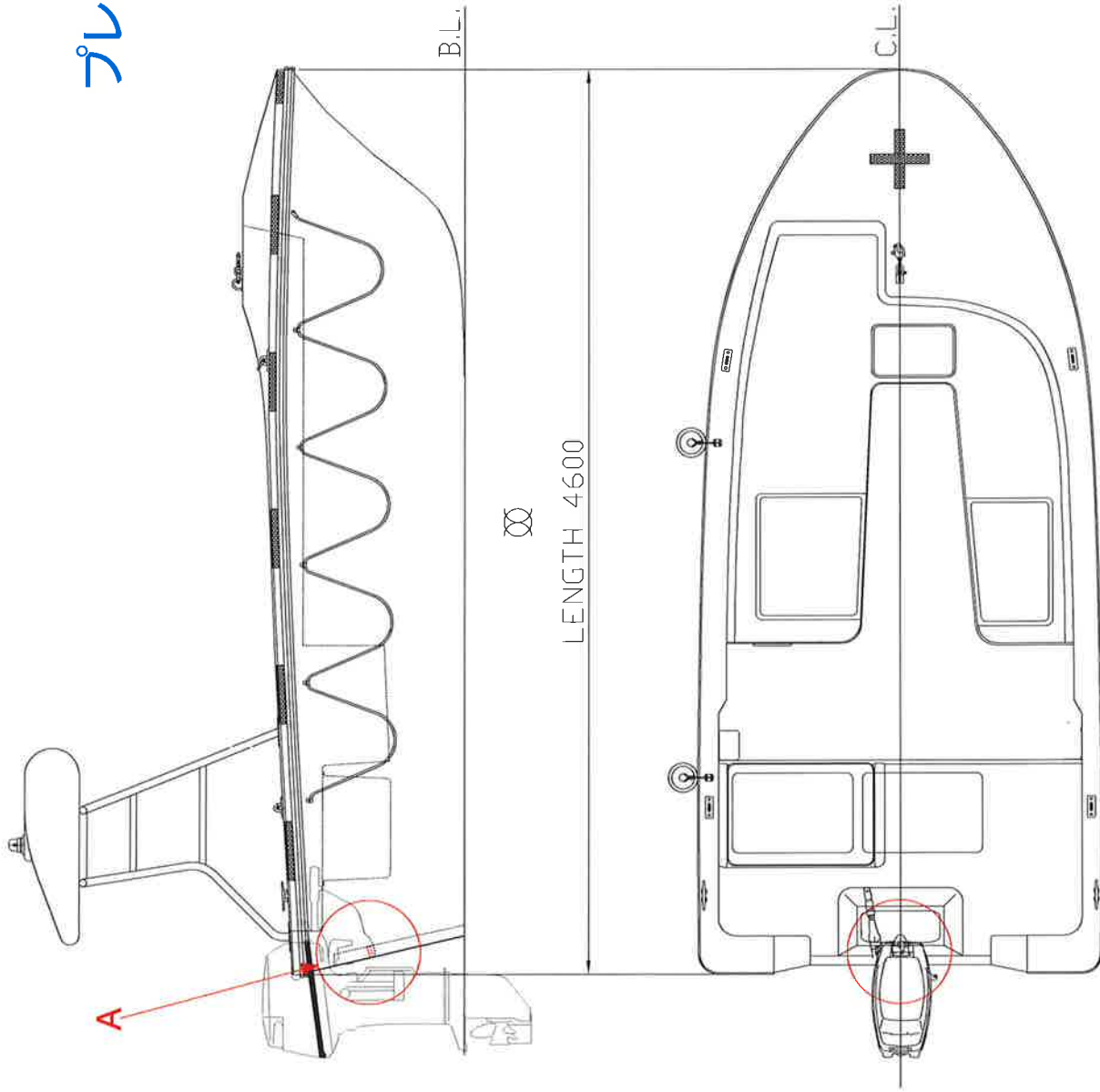
For the smooth drainage of rainwater and seawater, we need to do cleaning and maintainance regularly.

Every month and in the annual inspection, please clean the pipe carefully

Then in the case that the silicon around the drainage pipe was peeled, please put the silicon again.

We suppose that the crew always do the maintainance regularly. However to prevent the trouble in advance, please carry out the cleaning of the drainage pipe.

Sincerely



A Detail

プレクサス

内径  $\varnothing$  16の穴

シリコン

APPROVED BY	CHECKED BY	DRAWN BY	SCALE	MATL.	TITLE
		X.Truong	NTS		DETAIL OF DRAIN PIPE 排水管の詳細図
SHIGI SHIPBUILDING CO., LTD. TECHNICAL GROUP					DWG. NO.
					DATE Aug 18 2017