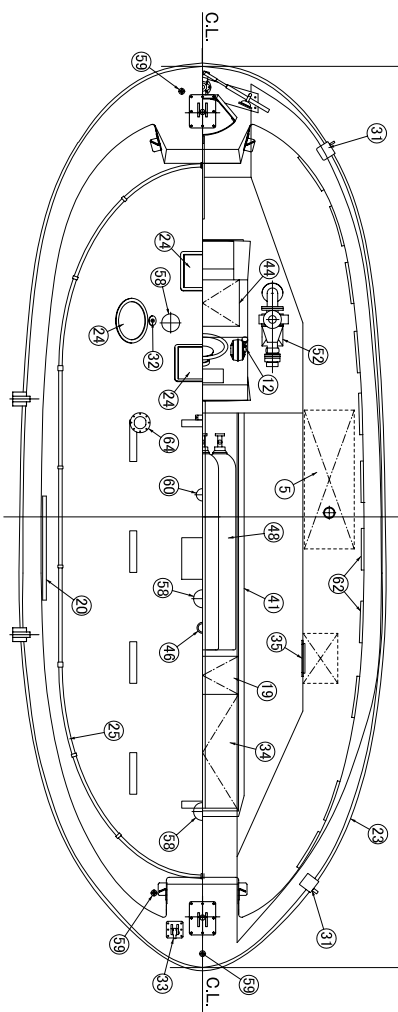
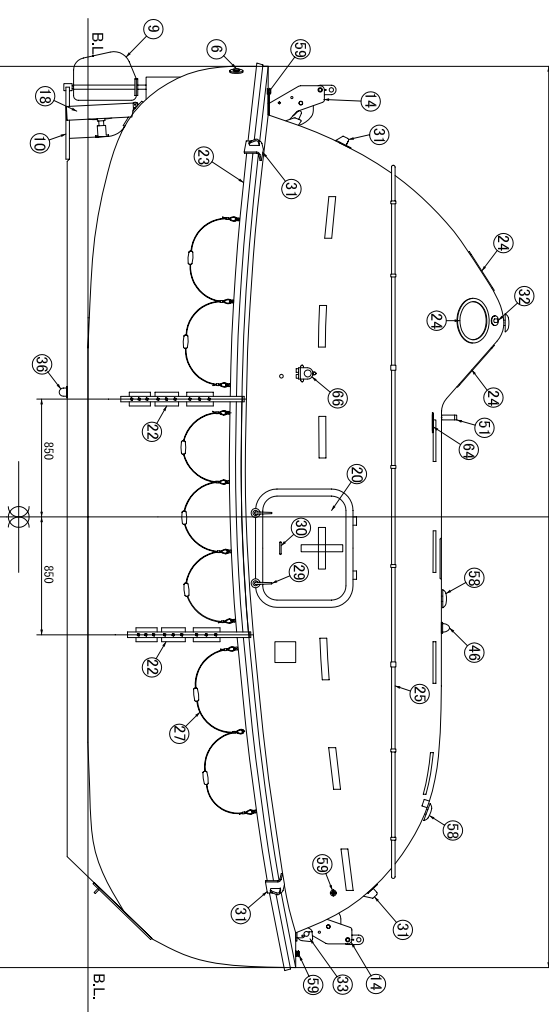
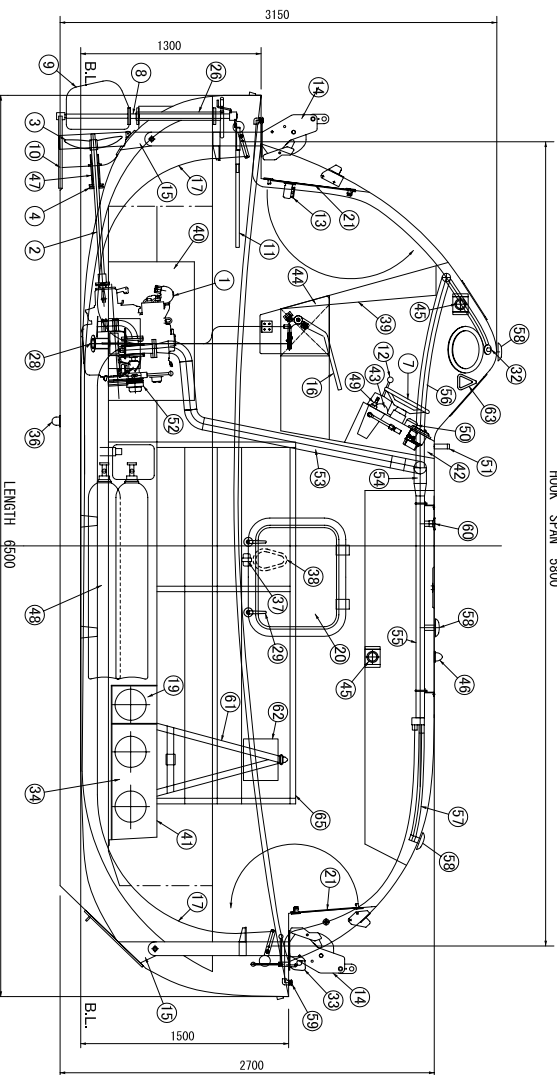


HOOK SPAN 5800



Note:

- All steel parts such as small fittings to be galvanized by hot process.
- Quantity shown in one boat.

NO.	PARTICULARS	SIZE	MATL	QUANTITY	REMARKS
66	Reclade		AL & P.W.I.	1	
65	Center Seat B <sup>10</sup>			1	
64	Fittings for SART		SS400	1	
63	Grip Handle	φ 16	SS400	1	
62	Head Support		Synthetic F.	1set	
61	Seat Belt			1set	Three(3) Point Type
60	Flushing With Cap			1	
59	Spray Nozzle	N18	Bs	5	
58	Spray Nozzle	NN35	Bs	4	
57	Water main	φ 40	Rubber	1set	
56	Water main	50A	Rubber	1set	
55	Water main	80A	SGP	1set	
54	Water main	80A	SGP	1set	
53	Water main	80A	Rubber	1	
52	Spray Pump	50M <sup>3</sup> /H	Bu	1	WPC-65L for Barometer
51	Feeler	φ 6		1	
50	Difference Meter	φ 6	Bs BM	1	
49	Air Regulator	50HT	Low AlW/SL	3	
47	Stern Tube	φ 60	BC	1	
46	Canopy Light	8W		1	
45	Ceiling Light	8W		2	
44	Battery	DC-12V		2	
43	Compass			1	
42	Console Box		FRP	1	
41	Center Seat	5t	FRP	1	
40	Engine Casing	1.6t	SS400	1	
39	Helmsman Seat	5t	FRP	1	
38	Rowing Port	φ 25	AC7A-F	1	Only Opposite Of Skate
37	Crutch Stand	φ 32	SS400	1	
36	Bottom Plug	BC	BC	1	Automatic
35	Food Locker	5t	FRP	1	
34	Fresh Water Locker	5t	FRP	1	3 liters per Person
33	Painter Release Device	16t	BC	1	for Painter
32	Through Plug	φ 6	SUS316	1	for Davit Control Wire
31	Wire Stopper	12t	SS400	6	
30	Grip Handle	φ 8	SUS304	2	
29	Chip	φ 17.5	SUS304	2	
28	Hydraulic System			1	
27	Life Line	φ 4	SUS304	2sets	
26	Rudder Tube	φ 60	SS400	1set	
25	Hand Rail	φ 25	SUS304	1set	
24	Window	6t	A6063S	4	Toughened glass
23	Fender	Synthetic W.		1set	
22	Boat Skate	D-100	Rubber	2	
21	Access Hatch	6t	FRP	2	with Hinge
20	Embarkation Hatch	6t	FRP	1	with Hinge
19	Locker	5t	FRP	1	with Proper Openings
18	Propeller Guard	3t	SUS304	1set	
17	Releasing Handle	φ 3.5	SGP	2	
16	Keel Bracket	20A	SS400	1	with Pin and Set Bolt
15	Lifting Hook	19t	SS400	2	
14	Breather Valve	φ 50	BC	1	
12	Controller			1set	Type:AS20H
11	Emergency Tiller	φ 25	SS400	1	
10	Shoe Piece	25t	SS400	1	Semi-Balanced Rudder
9	Rudder Plate	6t	SS400	1	with Emergency Tiller
8	Rudder Stock	φ 32	SUS304	1	
7	Steering Wheel	φ 365		1	
6	Exhaust Pipe	32A	SGP	1	with Anti-Swamp Valve
5	Fuel Oil Tank	156lt	SS400	1	S. Side Only
4	Packing Grand	φ 35	BC	1set	with Greased Packing
3	Screw Propeller	430 x 250	Al-Bronze	1	
2	Screw Shaft	φ 35	SUS304	1	
1	Engine	18.4kW		1	Yanmar 3JH25A

APPROVED CHECKED DRAWING NO. SCALE QUANTITY MATL TITLE

角 木村 齋村 NTS

GENERAL ARRANGEMENT  
一般配置図  
6.5M TYPE

SHIGI SHIPBUILDING CO., LTD. DWG. NO. DATE: H21.4.14