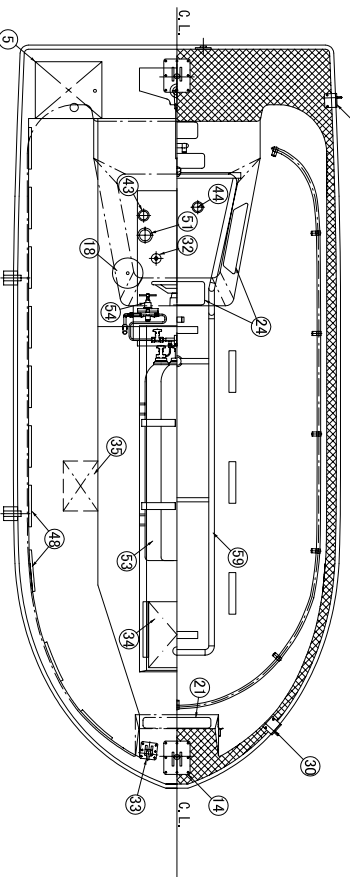
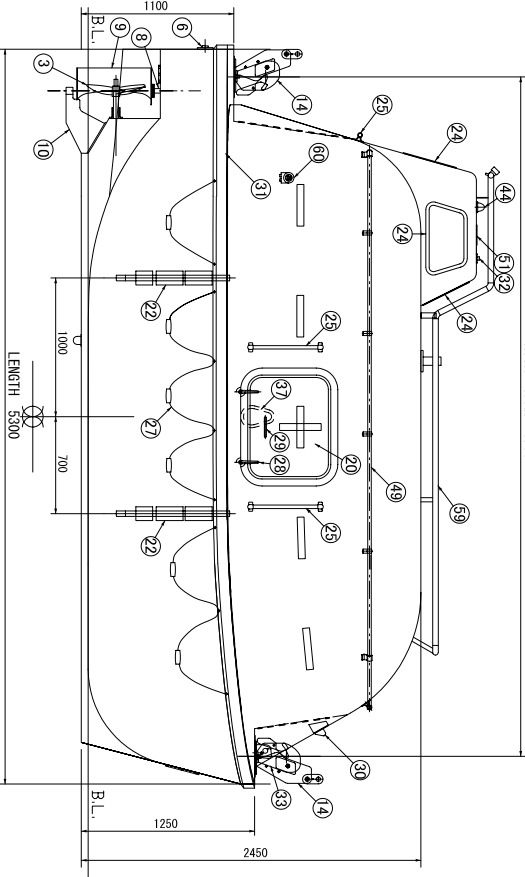
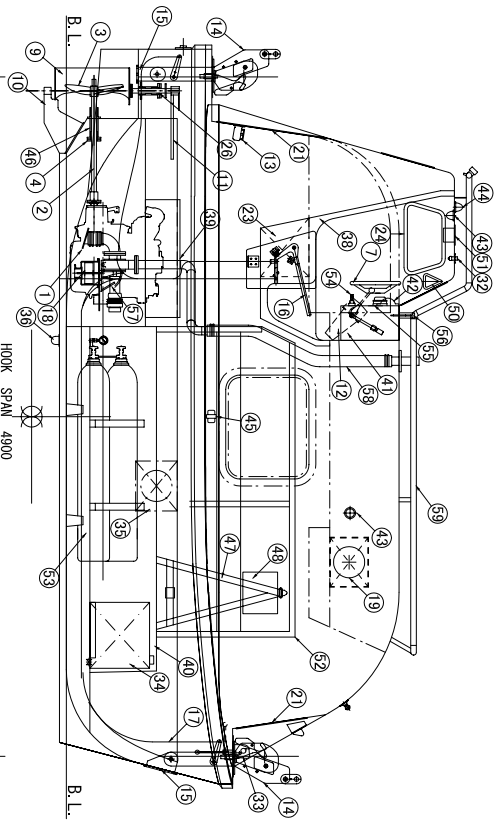


Note: 1. All steel parts such as small fittings to be galvanized by hot process.

2. Quantity shown in one boat.



NO.	PARTICULARS	SIZE	MATL	QUANTITY	REMARKS
60	Water Proof Inceptacle			1	
59	Spray Main	φ 40	A5052	1set	
58	Spray Main		Rubber	1set	
57	Spray Pump	50m ³ /h	Shimizu WPC-65L	1	
56	Feeder	φ 8	C1220	1	For Barometer
55	Difference Meter			1	
54	Air Regulator		C3771B	1	YM-301 Type
53	Air Reservoir		Quimo ST.	3	With Secured Band
52	Center Line B ^o		AL&P.W.	1	
51	Fittings For Start			1	Slide
50	Grip Handle	φ 15	SS400	1set	for Davit, Which Control
49	Hand Rail	φ 25	SUS304	1set	
48	Head Support			1set	
47	Seat Bolt		Synthetic F	1set	Three(3) Paint Type
46	Stern Tube	φ 60	CAC406	1	
45	Crotch Stand	25t	SS400	1	
44	Canopy Light	8~10W		1	
43	Calling Light	8~10W		2	
42	Compass			1	
41	Console Box		FRP	1	
40	Center Seat	5t	FRP	1	
39	Engine Casing	2.5t	A5052P	1	
38	Helmsman Seat	5t	FRP	1	Only Opposite Of Skate
37	Rowing Port		AC7A-F	1	Automatic
36	Bottom Plug	φ 32	C2801	1	
35	Food Container and Locker	5t	FRP	1	P-plate
34	Fresh Water Tank	83lt	A5052	1	3 liters per Person
33	Pulver Release Device	1ft	CAC406	1	for Painter
32	Through Plug	φ 6	C2801	1set	for Davit Control Wire
31	Fender		Synthetic W	1set	
30	Wire Stopper	12t	SS400	4	for Lashing Wire Rope
29	Grip Handle	φ 8	SUS304	4	
28	Chip	φ 17.5	SUS304	4	
27	Life Line	φ 4	SUS304	2sets	
26	Rudder Tube	φ 60	CAC406	1	
25	Grip Handle	φ 25	SUS304	3	
24	Window	6t	A6053S	4	Toughened Glass
23	Battery	DC12V		2	
22	Boat Skate		Rubber	2	
21	Access Hatch	6t	FRP	2	with Hinge
20	Embarkation Hatch	6t	FRP	1	with Hinge
19	Locker	5t	FRP	2	with Proper Openings
18	Hydraulic Inter Lock		FRP	1set	Buoyant Tank System
17	Releasing Cable	φ 3.5	SGP	2	
16	Releasing Handle	20A	SS400	1	
15	Keel Bracket	19t	SS400	2	with Fin and Set Bolt
14	Lifting Hook	25t	SS400	2	
13	Breather Valve	φ 50	CAC406	1	
12	Controller			1set	Type:SS20HO
11	Emergency Tiller	φ 25		1	
10	Shoe Piece	12t	SS400	1	
9	Rudder	5t	SUS304	1	Keel Nozzle
8	Rudder Stock	φ 32	SUS304	1	with Emergency Tiller
7	Steering Wheel	φ 350		1	
6	Exhaust Pipe	32A	SGP	1	with Anti-Swamp Valve
5	Fuel Oil Tank	78lt	SS400	2	
4	Packing Gland	φ 35	CAC406	1set	with Greased Packing
3	Screw Propeller	480 x 250	CAC103	1	
2	Screw Shaft	φ 35	SUS304	1	
1	Engine	18.4kW		1	Yanmar 3JH25A